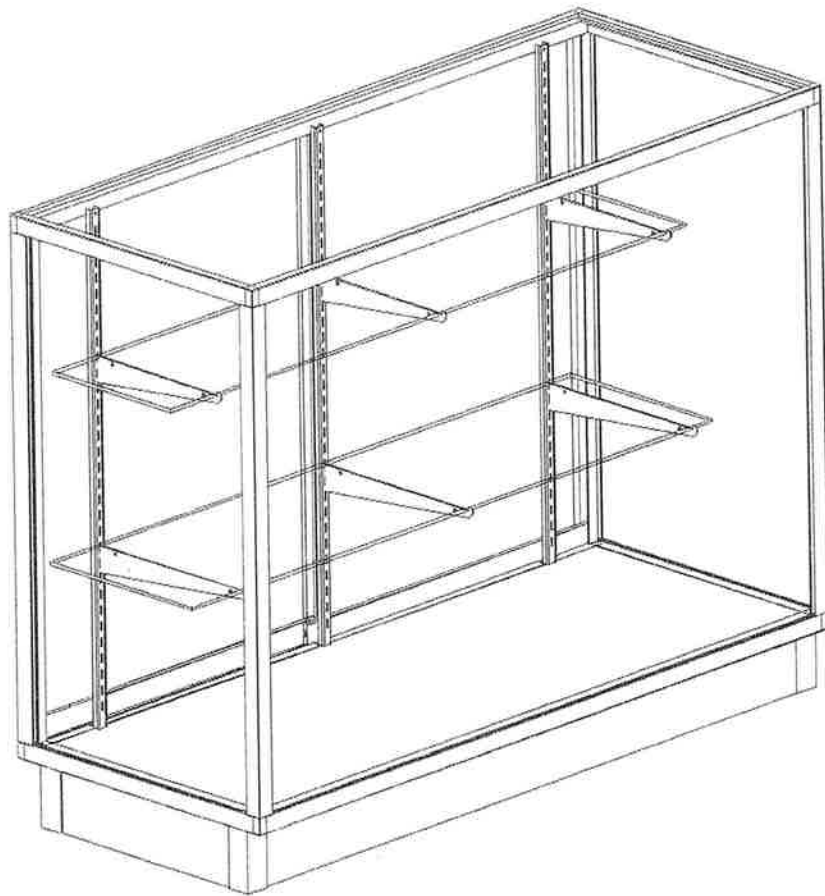
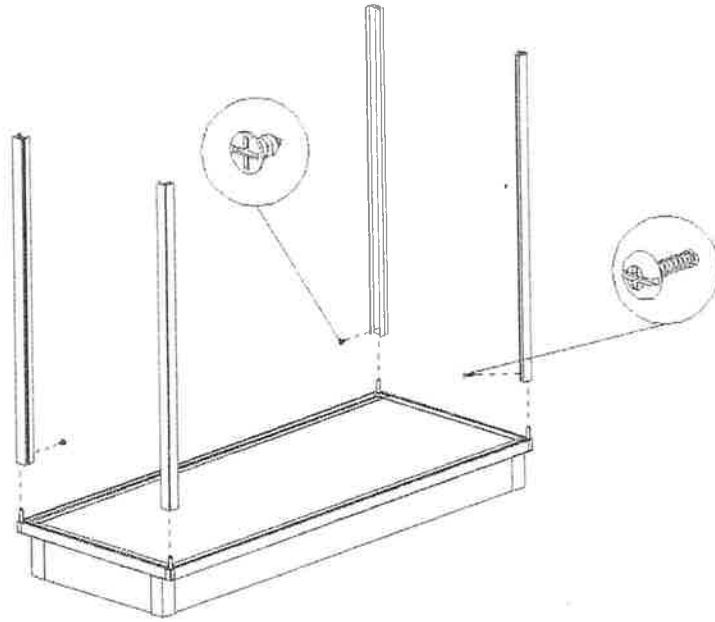


ASSEMBLY INSTRUCTION

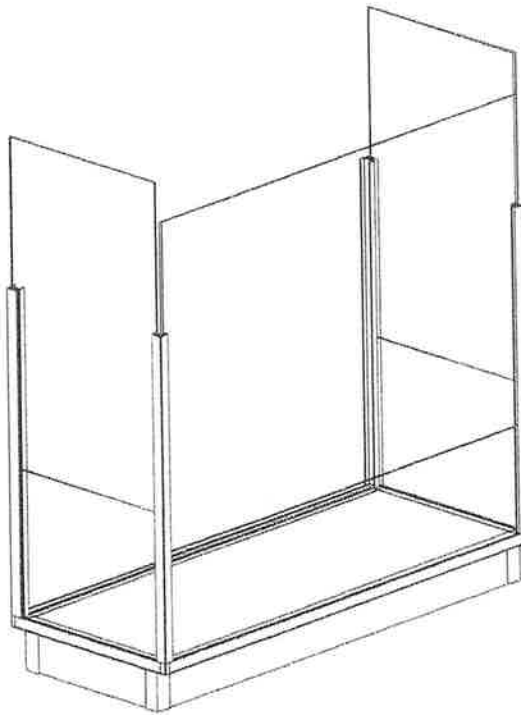
5' ALUMINUM EXTRA VISION SHOWCASE
6' ALUMINUM EXTRA VISION SHOWCASE



(1)



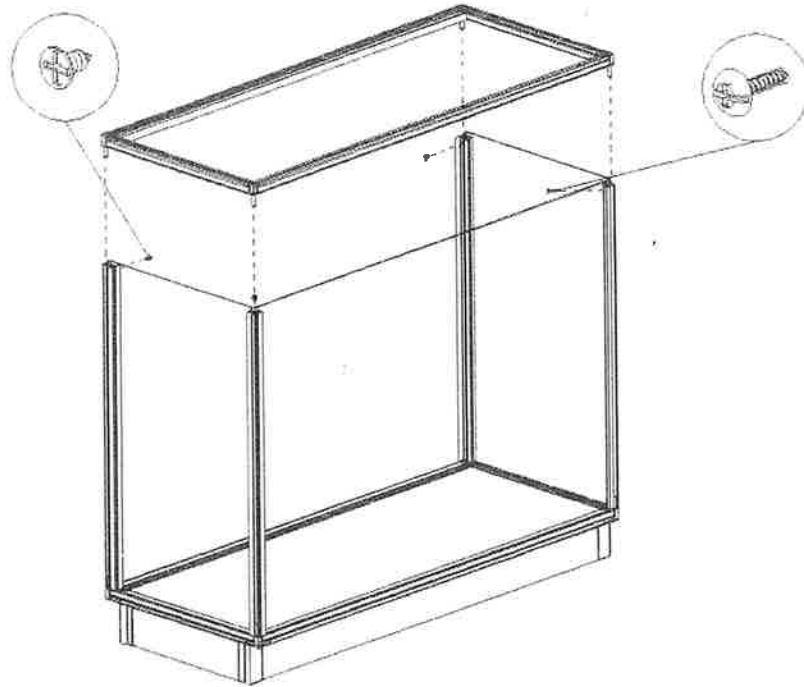
(2)



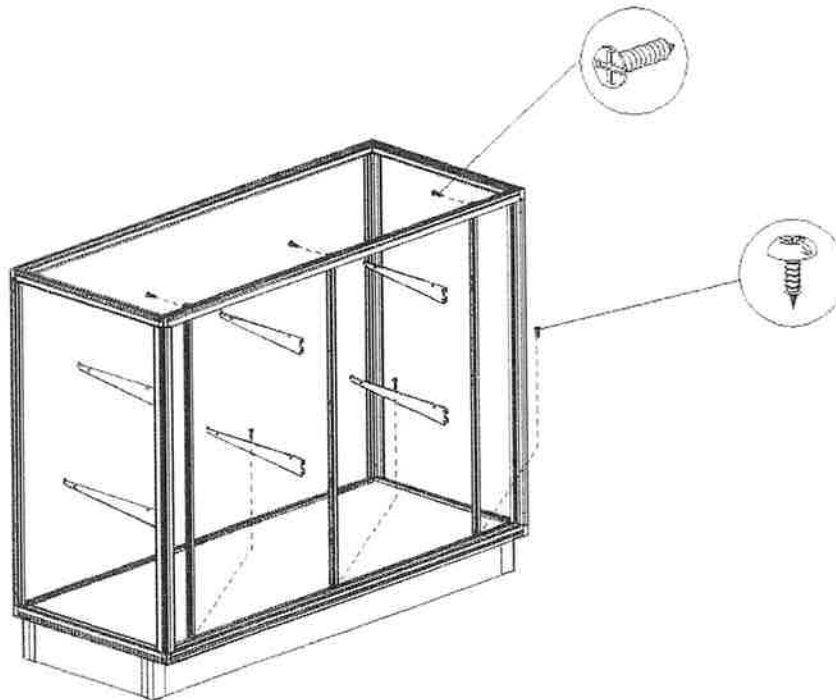
IMPORTANT PLEASE READ BEFORE PROCEEDING

After finishing the Display Case Assembly Instructions **STEP 3** ahead, if installing the optional L.E.D. Display Case Light please follow the L.E.D. Light Installation Instructions on the last page before continuing to **STEP 4**. If you are not installing the optional L.E.D. Display Case Light, please skip the optional L.E.D. Light Installation Instructions on the last page and continue on the remaining **STEP 3** through **STEP 6**.

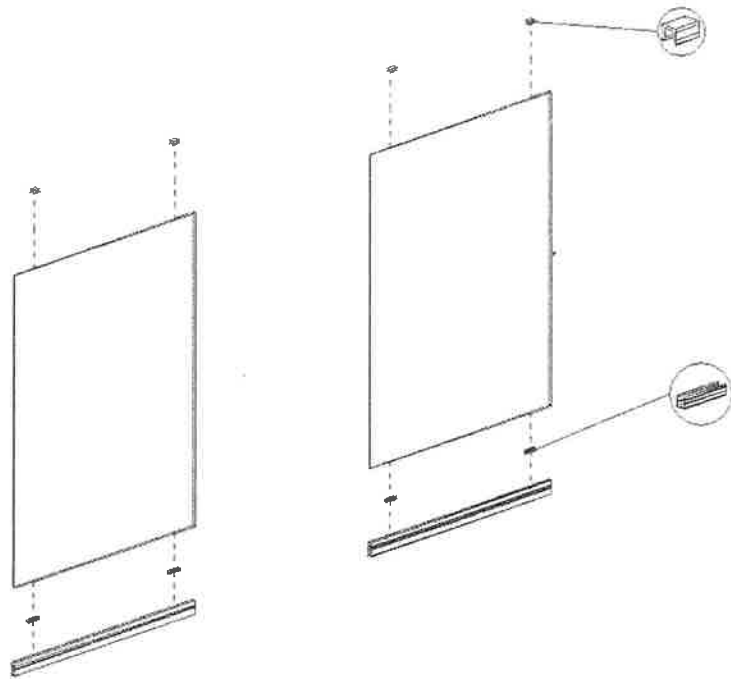
(3)



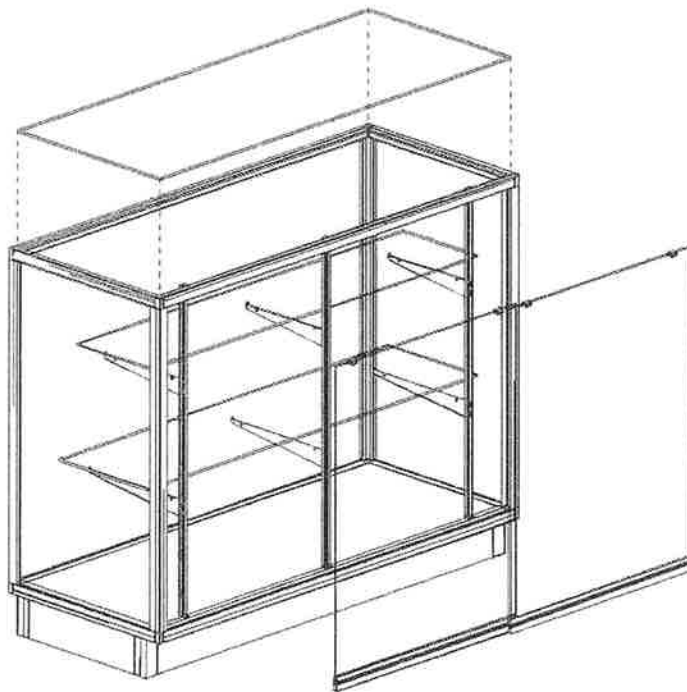
(4)



(5)



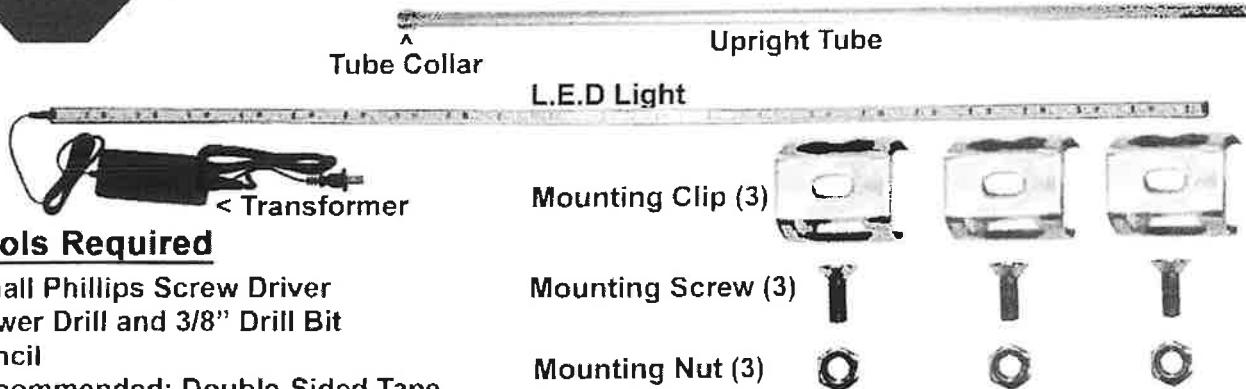
(6)



Minneapolis Series Display Case LED Light Installation



You have purchased an LED Light Kit that needs to be installed prior to STEP 4 of the display case assembly instructions.

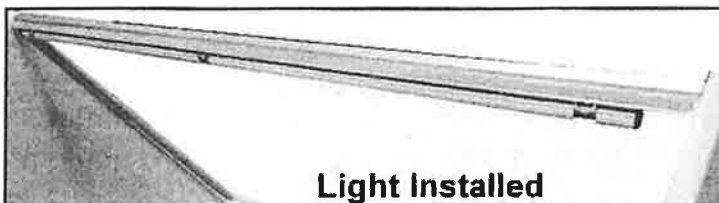
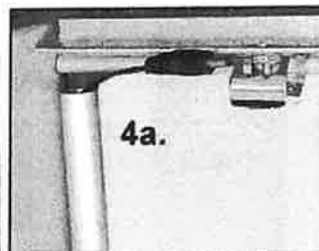
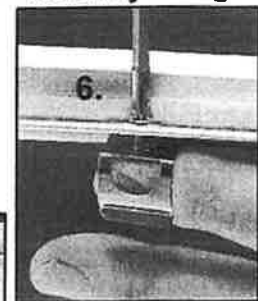
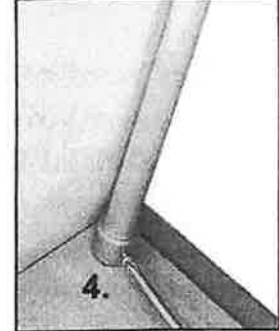
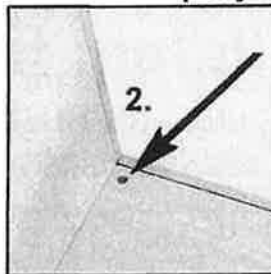


Tools Required

- Small Phillips Screw Driver
- Power Drill and 3/8" Drill Bit
- Pencil
- Recommended: Double-Sided Tape

Instructions:

1. Determine which front interior side of the display case you would like the power cable to be on. Using a pencil make a small "X" 1" in from the interior glass and 1" in from the side upright on the interior floor. This "X" will be the spot you drill the hole for the upright tube.
2. From the inside of the display case, drill a hole where you placed the "X" using a 3/8" drill bit.
3. Slip the power cable leading from transformer to light through upright tube.
4. Carefully lay the display case front down. Remove Tube Collar and Slip the Upright Tube up through the drilled hole in the floor of the display case. The transformer should remain on the underside of the display case. Slide the collar down from the top end of the Upright Tube until it reaches the interior floor. Adjust the Upright Tube to be approximately 1/2" below top aluminum frame (Image 4a). Tighten Upright Tube Collar on interior floor with screw driver.
5. It is recommended you attach the transformer to the underside of the display case with double-sided tape (not included). This will prevent power cords from inadvertently being pulled if the display case is moved. Set display case back upright.
6. Install the 3 Mounting Clips on the underside of the recessed holes in the top aluminum frame using the included mounting screws and nuts.
7. Place the L.E.D. Light in the mounting clips with the power input on the upright tube end of the display case.
8. Plug power cable end into L.E.D. light.
9. Continue with display case instructions STEP 4.



Light Installed

